



VERiTEC

**You are always
welcome in
India!**

**Take advantage of
many years of experience
and save your time
and money.**



Subcontracting to India

Many companies try to outsource their metal works to India. There is a large pool of bright, qualified people in India, well educated, well motivated, well spoken, and relatively well paid. Even with those higher Indian wage levels though, it still costs much less to do business in India.

But despite its popularity, successful outsourcing to India is still difficult. Cultural issues creep in, service-level expectations are set too high, transitional costs can be foreboding, and ongoing relationship management is expensive and labor-intensive.

The solution ?

Verintec is specialised in outsourcing of metal works to India, and our delegates visits regularly all our suppliers to amount to the most outstanding services.

The benefits are all yours : you are in business with a Belgian company but at more than competitive prices.

“Experience and service”

With more than 25 years of experience in metal industry you can be sure of a professional approach, tailored to your individual needs.

Offering competitive prices with fast lead times, we can provide the delivery of following quality products:

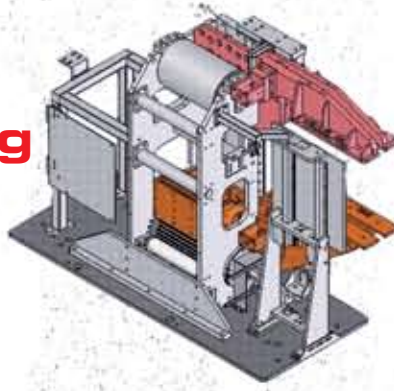
- casting works ; investment, sand casting and alu- die pressure casting:
- complete machining works : turning, milling, CNC, VMS;
- gear cutting;
- sheet metal, laserworks, bending, welding:
- construction works
- design engineering

Metals utilised range from copper, aluminium, brass, mild steel, to steel and stainless steel.

Take advantage of our experience and save time and money !



Design engineering



- **Strong fundamentals of engineering and concept design**
- **Promptly translating the needs and wants into optimum, functional and manufacturability designs**
- **Quality Engineering works**
- **Well equipped with latest technology software's autocad, pro/eng,...**
- **Ability to handle projects in Mechanical (Machineries, Automotive, and other)**



VERiTEC

VERCRUYSSSE international TECHNICS

Inport Export Technical Materials

Dynastiestraat 89 - 1982 Elewijt - BELGIUM
Tel. 0032 15 345 750 - Fax. 0032 15 345 750
vercruysse@verintec.be - www.verintec.be

